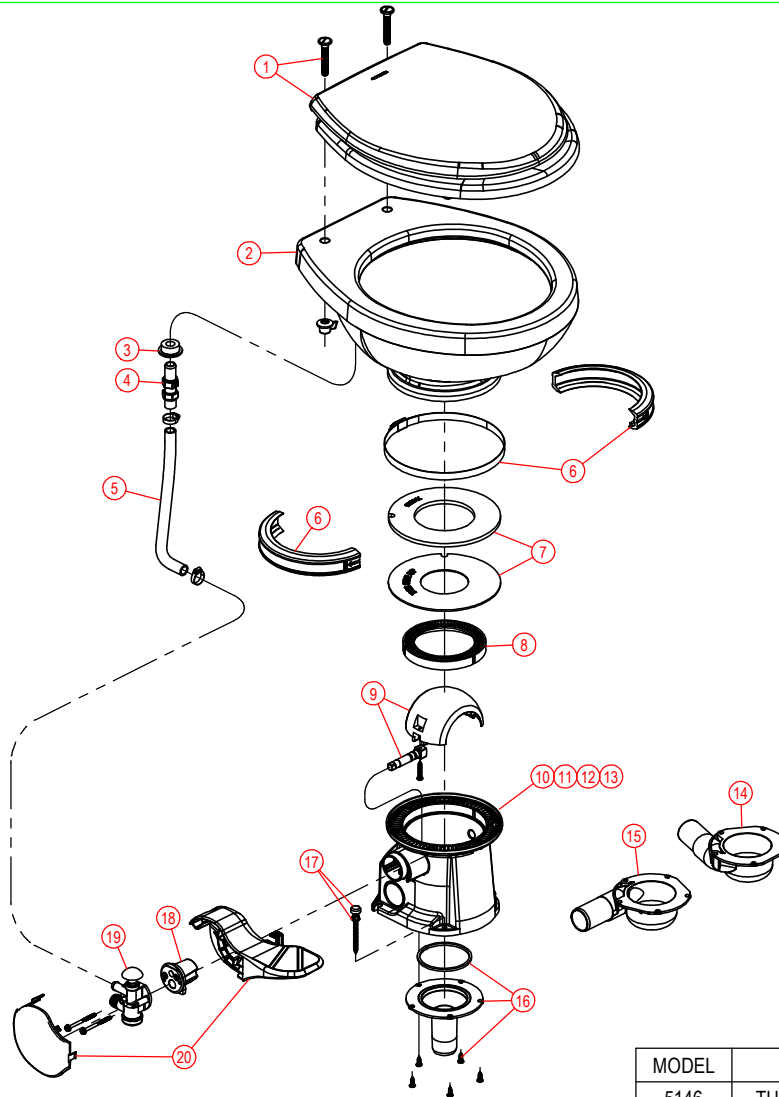


PARTS LIST: VACUFLUSH MODELS 5146; 5147; 5148; 5149



ITEM	PART NUMBER & DESCRIPTION
1	385343829 - SEAT/COVER - WHITE 385343831 - SEAT/COVER - BONE **Includes Mounting Hardware.
2	385311079 - BOWL KIT - WHITE 385311080 - BOWL KIT - BONE
3	385311164 - 1/2" SEALING GROMMET
4	385311456 - BARBED CHECK VALVE REPLACEMENT **Includes Item 3.
5	385345377 - BOWL WATER SUPPLY HOSE **Includes Hose Clamps.
6	385310025 - BOWL/BASE CLAMP KIT - WHITE 385310048 - BOWL/BASE CLAMP KIT - BONE
7	385311462 - FLUSH BALL SEAL REPLACEMENT KIT
8	385311292 - BASE FLUSH BALL RING KIT
9	385310954 - FLUSH BALL / SHAFT (BRASS) KIT **Includes Item 18.
10	385311711 - 146 SERIES BASE KIT - WHITE 385311712 - 146 SERIES BASE KIT - BONE **Includes Items 6-9; 16-20
11	385310685 - 147 SERIES BASE KIT - WHITE 385310783 - 147 SERIES BASE KIT - BONE **Includes Items 6-9; 14; 17-20.
12	385310686 - 148 SERIES BASE KIT - WHITE 385310784 - 148 SERIES BASE KIT - BONE **Includes Items 6-9; 14; 17-20.
13	385310975 - 149 SERIES BASE KIT - WHITE 385310976 - 149 SERIES BASE KIT - BONE **Includes Items 6-9; 15; 17-20.
14	385310680 - DISCHARGE KIT - 147/148 SERIES **Includes Seal & Mounting Screws.
15	385310936 - DISCHARGE KIT - 149 SERIES **Includes Seal & Mounting Screws.
16	385311713 - DISCHARGE KIT - 146 SERIES **Includes Seal & Mounting Screws.
17	385310679 - MOUNTING HARDWARE - WHITE 385310785 - MOUNTING HARDWARE - BONE
18	385310683 - SPRING CARTRIDGE KIT
19	385314349 - WATER VALVE KIT **Includes Mounting Screws.
20	385310682 - FLUSH PEDAL KIT - WHITE 385310762 - FLUSH PEDAL KIT - BONE **Includes Item 18.

MODEL	DISCHARGE LOCATION
5146	THRU THE FLOOR
5147	OPPOSITE SIDE OF THE PEDAL
5148	REAR OF THE TOILET
5149	UNDER THE PEDAL