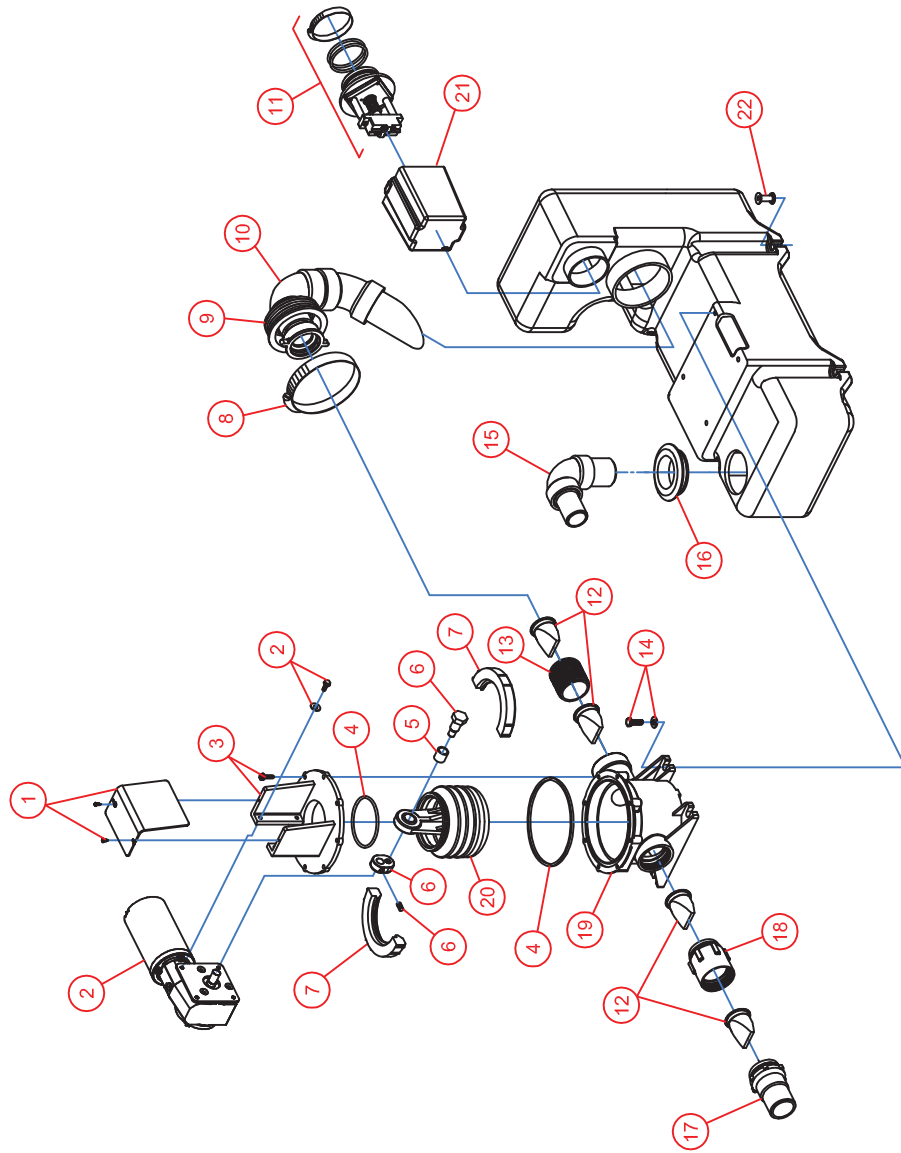


PARTS LIST: VACUUM GENERATOR II 12 & 24vdc SERIES

ITEM	PART NUMBER & DESCRIPTION
1	385311323 - MOTOR COVER KIT **Includes Mounting Screws
2	385311065 - 12vdc REPLACEMENT MOTOR 385311066 - 12vdc REPLACEMENT MOTOR **Includes Item 6.
3	385311324 - PUMP TOP CLOSURE KIT **Includes Mounting Screws
4	385310151 - PUMP REPLACEMENT O'RING KIT
5	385310242 - PUMP ECCENTRIC BUSHING KIT
6	385310644 - PUMP ECCENTRIC KIT **Includes Item 5.
7	385311226 - Pump Bellows Clamp Kit
8	385311846 - HOSE CLAMP - 3-3/4" DIA.
9	385311837 - O'RING, 3.000" X 3.250" X .125 **Bulk Kit; 10 per package.
10	385310539 - VGII DISCHARGE FITTING **Includes Item 9.
11	385310540 - VGII VACUUM SWITCH KIT **Includes O'rings & 2" Mounting Clamp.
12	385310076 - 1-1/2" CHECK VALVE KIT **2pcs per Package.
13	385311272 - 1-1/2" CLOSE NIPPLE FITTING
14	385311163 - PUMP MOUNTING HARDWARE
15	385310635 - 1-1/2" INLET ELBOW FITTING **Includes Item 16.
16	385311111 - 1-1/2" SEALING GROMMET
17	385311315 - 1-1/2" PUMP OUTLET FITTING
18	385311316 - 1-1/2" CHECK VALVE ADAPTER FITTING
19	385311844 - PUMP BODY REPLACEMENT
20	385230980 - BELLOWS ASSEMBLY REPLACEMENT KIT **Includes Item 5 & 6..
21	385311215 - VACUUM SWITCH COVER (WHITE)
22	385311318 - TANK MOUNTING SPINDLE KIT **4pcs per Package.
Not Shown	385310774 - COMPLETE VGII PUMP KIT - 12VDC 385310775 - COMPLETE VGII PUMP KIT - 24VDC



Dometic Corporation - Sanitation Systems
13128 State Rt. 226, P.O. Box 38
Big Prairie, OH 44611-0038 USA
Telephone: 330-439-5550
Fax: 330-496-3097
Email: sealand@dometicusa.com